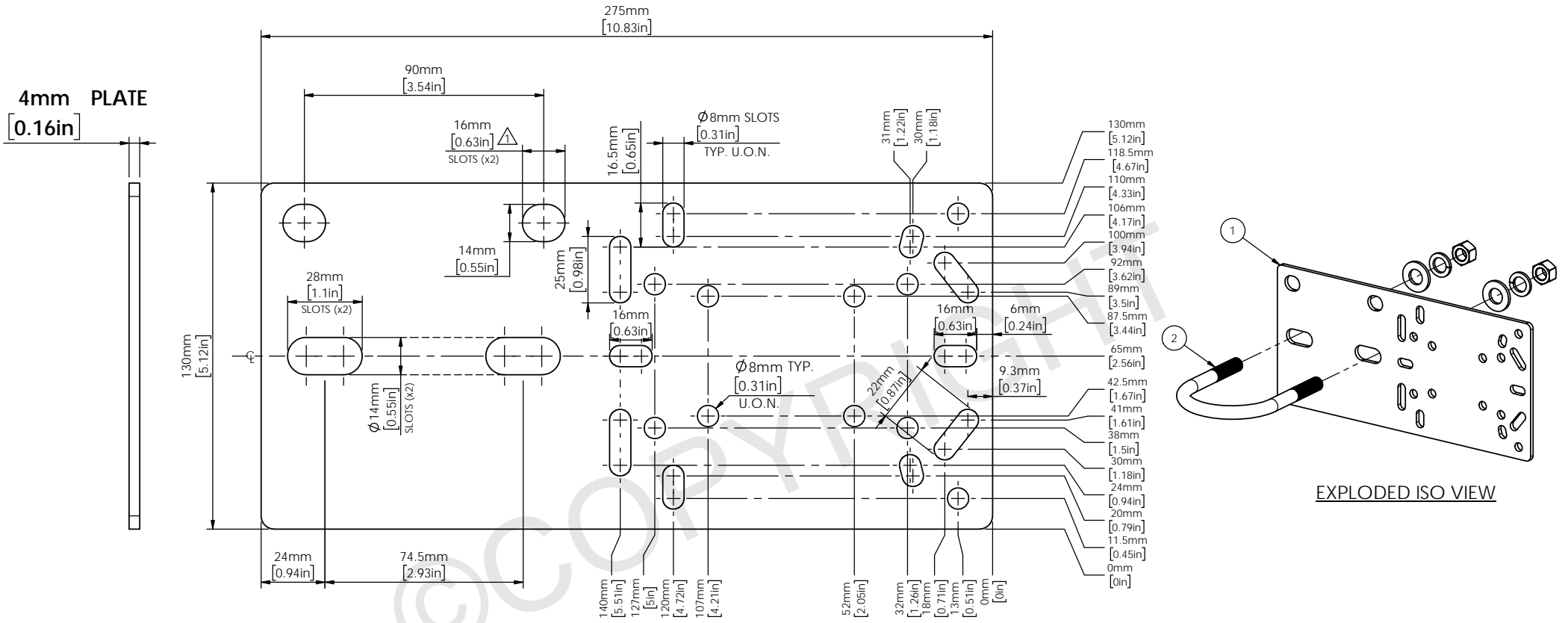


ITEM NO.	QTY.	PART NUMBER	DESCRIPTION	WEIGHT
1	1	JBP1208-HG	Junction Box Plate	1.0
2	1	M12-UBK65-HG	DN65 U-Bolt Fastener Kit	0.3



**PART NUMBER = JBPK1208-65-HG**

MATERIAL = STEEL

FINISH = Hot Dip Galvanised

WEIGHT = 1.3 kg [2.86 lb]

SUPPLIED WITH DN65 U-BOLT & NUTS



Scan Code with QR Reader app for more Swivelpole™ Solutions

**maxis**  
PATENTED PRODUCTS

[www.maxisjoint.com](http://www.maxisjoint.com)

**PATENTED** PRODUCTS

[www.swivelpole.com](http://www.swivelpole.com)

**Swivelpole**

This document is the property of and protected by copyright owned by Swivelpole Group Pty Ltd and or Exemplar Products Pty Ltd. The designs and other information embodied in this document comprise confidential information of Swivelpole Group Pty Ltd and or Exemplar Products Pty Ltd and form part of products covered by international patents and registered designs including US patent No 6957832 and US patent No 9945143. Unauthorised use, reproduction and disclosure are strictly prohibited. This document must not be removed from the premises of the licensed user of this document without Swivelpole Group Pty Ltd's and or Exemplar Products Pty Ltd's prior approval.

ALL DIMENSIONS ARE IN MILLIMETERS / INCHES	SERIES / CODE JBPK	PART NUMBER JBPK1208-65-HG	(RQ1929 - 11/10/23)
DRAWN BY BP	DATE 19/07/21	TITLE Swivelpole™ Junction Box Plate - DN65 Pole Client Detail	
CHECKED BY KM	DATE 19/07/21		
APPROVED BY AI	DATE 19/07/21		
THIRD ANGLE PROJECTION	SCALE N.T.S.	DRG No C-JBPK1208-65-HG	REV 1 A3